

STATE OF CALIFORNIA  
AGRICULTURE AND SERVICES AGENCY  
DEPARTMENT OF INDUSTRIAL RELATIONS  
CALIFORNIA APPRENTICESHIP COUNCIL

# Certificate of Completion of Apprenticeship

JOHN S. HAUGRUD  
MACHINIST

*Having satisfactorily completed training in accordance with apprenticeship standards is awarded this certificate attesting to the achievement of the skills and knowledge required of a journeyman.*

FEBRUARY 1, 1977

California Apprenticeship Council

*George A. Harter*

Chairman

*Edward W. Wallace*

Secretary

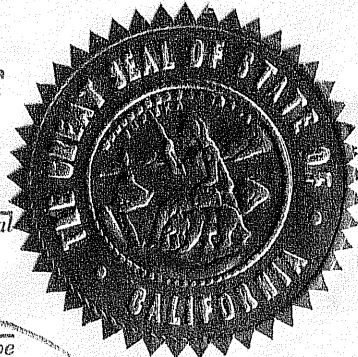
Apprenticeship Program Sponsor

*Kenneth J. Hibbons*

Official

*Donald J. Johnson*

School Representative



*Donald Vial*

Administrator of Apprenticeship

MARINE COMPOSITE RECONNAISSANCE SQUADRON 3  
Marine Aircraft Group 11  
3d Marine Aircraft Wing, FMFPac  
MCAS El Toro, Santa Ana, California 92709

SqdnBul 1650  
1:PSF:dhc  
4 August 1972

SQUADRON BULLETIN 1650

From: Commanding Officer  
To: Distribution List

Subj: Meritorious Mast; case of Sergeant J. S. HAUGRUD 572 82 87 31/6062  
USMC

Ref: (a) MCO 1650.19  
(b) MCO P1370.8

1. Purpose. To inform this squadron of the Meritorious Mast held for Sergeant J. S. HAUGRUD.
2. General. A Meritorious Mast was conducted this date by the Commanding Officer in accordance with the provisions of reference (a). The following remarks were made:

"Since joining VMJ-3 in August 1971, you have exemplified the true Marine Spirit in all endeavors. In order to broaden your overall qualifications you have spent many long and tedious hours studying maintenance and maintenance administrative procedures. This preparation enabled you to assume the duties of non-commissioned officer in charge of the seat shop during this Units deployment. The responsibilities of being a work center supervisor did not weight you down. You continued to train the personnel assigned to you and at the same time meet the taxing commitments placed upon you and your shop by the overall maintenance effort. Through your sense of duty and responsibility you never allowed the work quality of your shop to falter and at the same time the maintenance effort never waited for you. Your professionalism and "can do" attitude are an excellent example of leadership for your peers and those men who look to you for guidance. Your efforts have materially contributed to the accomplishment of the demanding mission of this Unit. Your personal appearance, cheerful manner and professionalism are in the highest traditions of the Marine Corps. It is with the utmost pride, pleasure and enthusiasm that I award you this Meritorious Mast."

3. Action. The Squadron Administrative Officer is directed to ensure that the appropriate entries are made in Sergeant HAUGRUDS service record book as outlined by reference (b).

Naval Air Technical Training Command  
Naval Air  
Maintenance Training Group

Naval Air Maintenance Training Detachment 1023  
F-4B/F-4J/RF-4B Marine Corps Air Station  
El Toro Santa Ana, California 92709

*This is to certify that*

JOHN S. HAUGRUD  
L/CPL. USMC

*has successfully completed a course of instruction in the*

CLASS "C" MAINTENANCE SAFETY AND SURVIVAL COURSE FKJ

*Awarded this* 3rd. *day of* MARCH 19 70



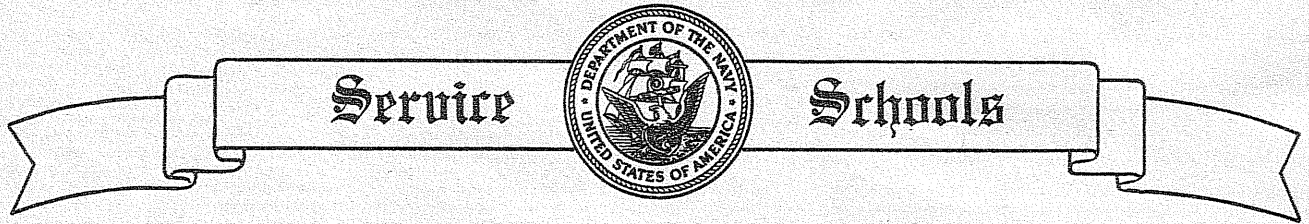
NAMTG 1540/2 (REV. 4-68)

*J. M. Baslar*  
Commanding Officer, Naval Air Maintenance Training Group  
*Galen R. Martie*

Officer in Charge



Department of the Navy  
Bureau of Naval Personnel



*This certifies that*

HAUGRUD, John Spencer                      PFC                      2527156                      USMC

*has satisfactorily completed the prescribed course of study at the*  
Naval Air Technical Training Center, Millington, Tennessee  
Aviation Structural Mechanic I (Safety Equipment) Course, Class A  
*this*                      10th                      day of                      July                      , 19 69

NAVPERS 674 (REV. 4-63)  
S/N 0105-401-3402

C. L. Burbage  
U.S. NAVY, COMMANDING

Department of the Navy  
Bureau of Naval Personnel



*This certifies that*

HAUGRUD, JOHN S.                      PVT                      2527156                      USMC

*has satisfactorily completed the prescribed course of study at the*  
Naval Air Technical Training Center, Millington, Tennessee  
Aviation Mechanical Fundamentals School, Class A  
*this*                      9th                      day of                      MAY                      , 19 69

NAVPERS 674 (REV. 4-63)  
S/N 0105-401-3402

C. L. Burbage  
U.S. NAVY, COMMANDING

Magna MACHINERY CO., INC.

HEREBY CERTIFIES THAT

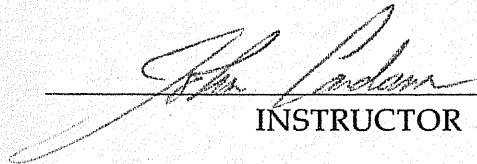
JOHN HAUGRUD

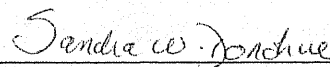
has satisfactorily completed the  
ADVANCED PROGRAMMING COURSE of INSTRUCTION

for the

CNC88 CONTROL

dated this SEVENTH day of JUNE 19 94

  
INSTRUCTOR

  
TRAINING ADMINISTRATOR

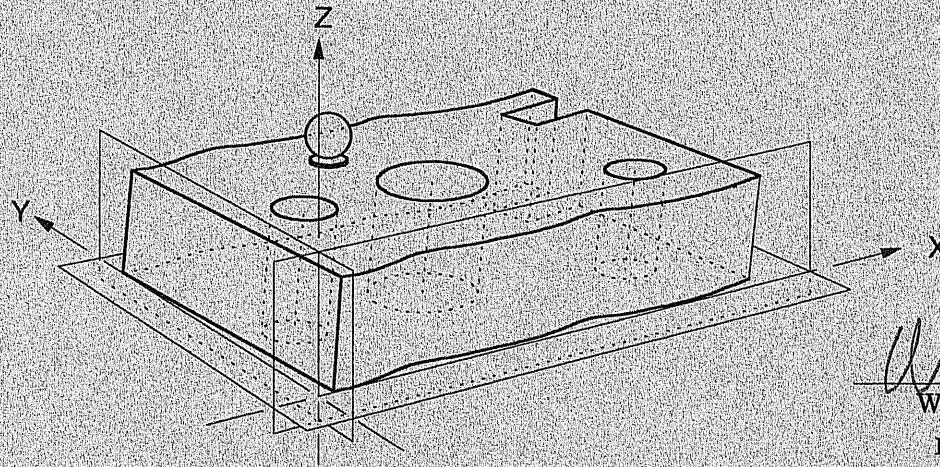
A Multi Metrics  
Smart GD&T™  
Productivity Training Seminar

*This certifies that*

*John Haugrud*

*has successfully completed  
the three day course*

Intermediate GD&T  
for Design, Manufacturing & Inspection



*W. Tandler*  
William Tandler

December 2000

